



OPA2544

High-Voltage, High-Current DUAL OPERATIONAL AMPLIFIER

FEATURES

- HIGH OUTPUT CURRENT: 2A min
- WIDE POWER SUPPLY RANGE:
 $\pm 10V$ to $\pm 35V$
- SLEW RATE: $8V/\mu s$
- INTERNAL CURRENT LIMIT
- THERMAL SHUTDOWN PROTECTION
- FET INPUT: $I_B = 50pA$ max
- 11-LEAD PLASTIC PACKAGE

DESCRIPTION

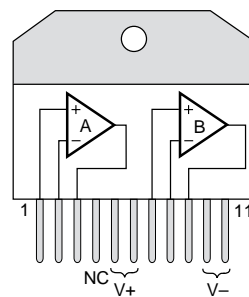
The OPA2544 is a dual high-voltage/high-current operational amplifier suitable for driving a wide variety of high power loads. It provides 2A output current and power supply voltage range extends to $\pm 35V$.

The OPA2544 integrates two high performance FET op amps with high power output stages on a single monolithic chip. Internal current limit and thermal shutdown protect the amplifier and load from damage.

The OPA2544 is available in a 11-lead plastic packages and is specified for the $-40^{\circ}C$ to $+85^{\circ}C$ temperature range.

APPLICATIONS

- MOTOR DRIVER
- PROGRAMMABLE POWER SUPPLY
- SERVO AMPLIFIER
- VALVES, ACTUATOR DRIVER
- MAGNETIC DEFLECTION COIL DRIVER
- AUDIO AMPLIFIER



Case
connected
to V- Supply.

SPECIFICATIONS

At $T_{CASE} = +25^{\circ}\text{C}$ and $V_S = \pm 35\text{V}$, unless otherwise noted.

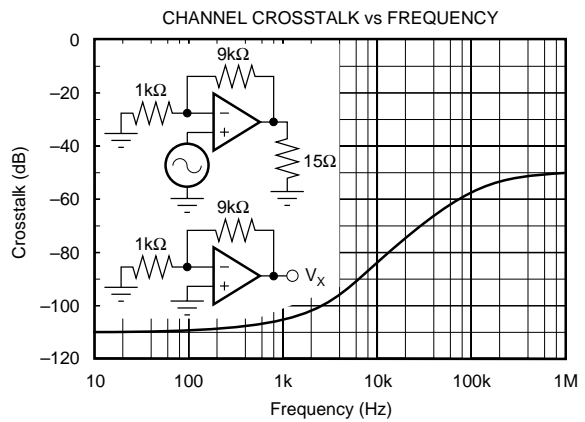
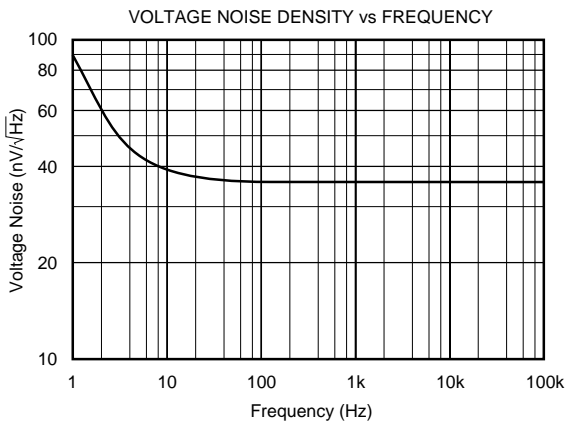
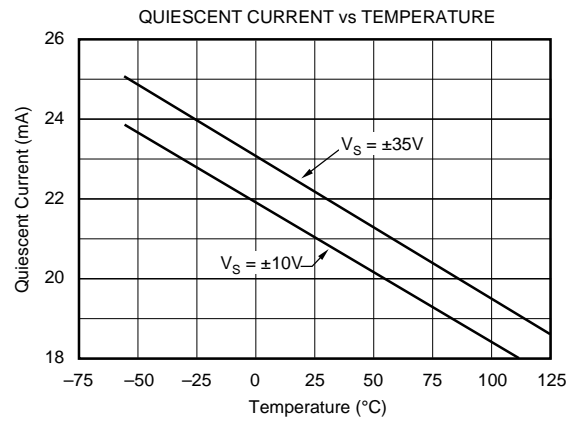
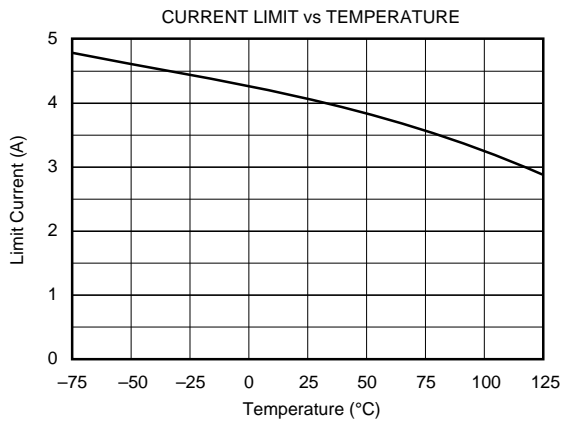
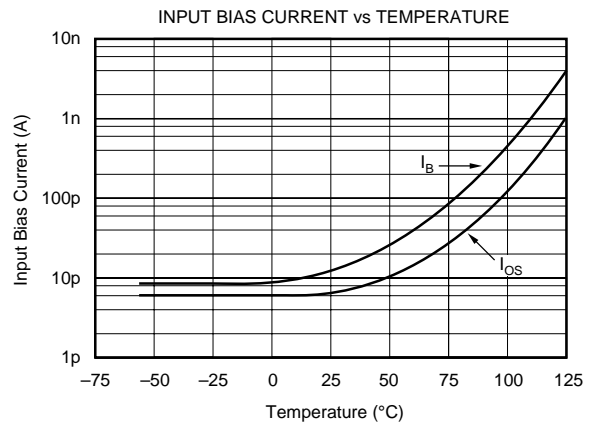
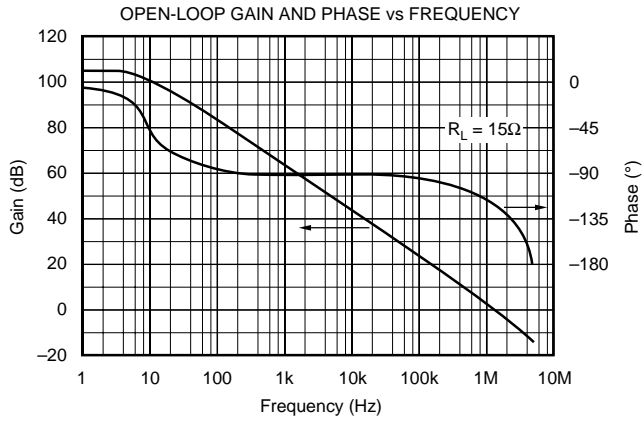
PARAMETER	CONDITIONS	OPA2544T			UNITS
		MIN	TYP	MAX	
OFFSET VOLTAGE Input Offset Voltage vs Temperature vs Power Supply	Specified Temp. Range $V_S = \pm 10\text{V}$ to $\pm 35\text{V}$		± 1 ± 10 ± 10	± 5 ± 100	mV $\mu\text{V}/^{\circ}\text{C}$ $\mu\text{V}/\text{V}$
INPUT BIAS CURRENT⁽¹⁾ Input Bias Current vs Temperature Input Offset Current	$V_{CM} = 0\text{V}$ $V_{CM} = 0\text{V}$		± 15 Doubles every 10°C ± 10	± 50 ± 50	pA pA
NOISE Input Voltage Noise Noise Density, $f = 1\text{kHz}$ Current Noise Density, $f = 1\text{kHz}$			36 3		$\text{nV}/\sqrt{\text{Hz}}$ $\text{fA}/\sqrt{\text{Hz}}$
INPUT VOLTAGE RANGE Common-Mode Input Range Positive Negative Common-Mode Rejection	Linear Operation Linear Operation $V_{CM} = \pm V_S - 6\text{V}$	(V+) -6 (V-) +6 90	(V+) -4 (V-) +4 106		V V dB
INPUT IMPEDANCE Differential Common-Mode			$10^{12} \parallel 8$ $10^{12} \parallel 10$		$\Omega \parallel \text{pF}$ $\Omega \parallel \text{pF}$
OPEN-LOOP GAIN Open-Loop Voltage Gain	$V_O = \pm 30\text{V}$, $R_L = 15\Omega$	90	103		dB
FREQUENCY RESPONSE Gain-Bandwidth Product Slew Rate Full-Power Bandwidth Settling Time 0.1% Total Harmonic Distortion	$R_L = 15\Omega$ 60Vp-p , $R_L = 15\Omega$ $G = -10$, 60V Step	5	1.4 8 See Typical Curve 25 See Typical Curve		MHz V/ μs μs
OUTPUT Voltage Output: Positive Negative Positive Negative Current Output Short-Circuit Current	$I_O = 2\text{A}$ $I_O = 2\text{A}$ $I_O = 0.5\text{A}$ $I_O = 0.5\text{A}$	(V+) -5 (V-) +5 (V+) -4.2 (V-) +4	(V+) -4.4 (V-) +3.8 (V+) -3.8 (V-) +3.1 See SOA Curves		V V V V A
POWER SUPPLY Specified Operating Voltage Operating Voltage Range Quiescent Current (total)	 $I_O = 0$	± 10	± 35 ± 22	± 35 ± 30	V V mA
TEMPERATURE RANGE Operating Range Storage Thermal Resistance, θ_{JC}^2 Thermal Resistance, θ_{JC}^2 Thermal Resistance, θ_{JC}^2 Thermal Resistance, θ_{JC}^2 Thermal Resistance, θ_{JA}^2	Both Amplifiers, $f > 50\text{Hz}$ Both Amplifiers, DC One Amplifier, $f > 50\text{Hz}$ One Amplifier, DC No Heat Sink	-40 -40	2 2.5 2.7 3 30	+85 +125	$^{\circ}\text{C}$ $^{\circ}\text{C}$ $^{\circ}\text{C}/\text{W}$ $^{\circ}\text{C}/\text{W}$ $^{\circ}\text{C}/\text{W}$ $^{\circ}\text{C}/\text{W}$ $^{\circ}\text{C}/\text{W}$

NOTES: (1) High-speed test at $T_J = +25^{\circ}\text{C}$. (2) Calculated from total power dissipation of both amplifiers.

The information provided herein is believed to be reliable; however, BURR-BROWN assumes no responsibility for inaccuracies or omissions. BURR-BROWN assumes no responsibility for the use of this information, and all use of such information shall be entirely at the user's own risk. Prices and specifications are subject to change without notice. No patent rights or licenses to any of the circuits described herein are implied or granted to any third party. BURR-BROWN does not authorize or warrant any BURR-BROWN product for use in life support devices and/or systems.

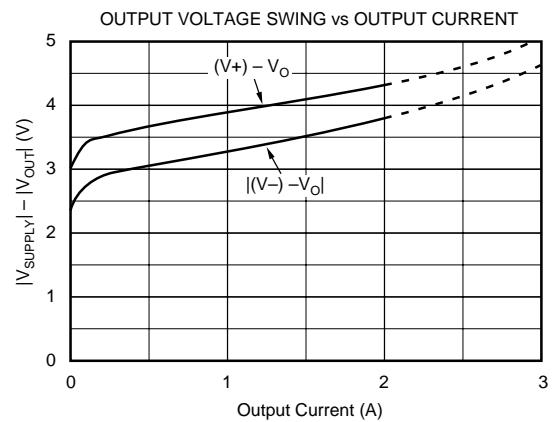
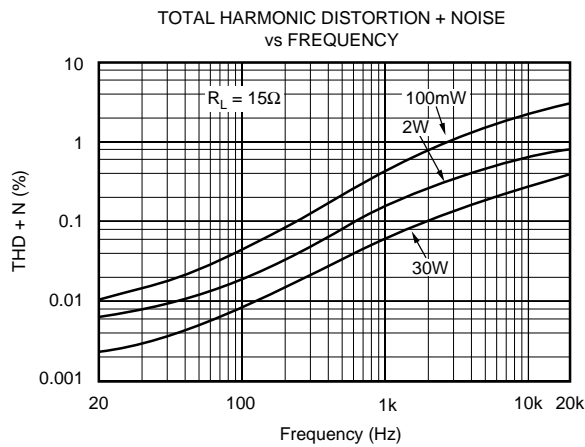
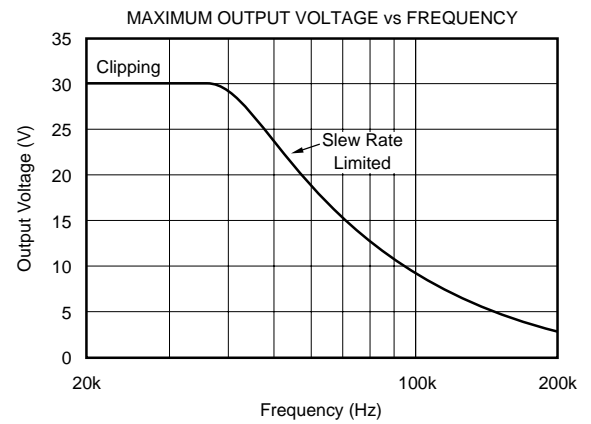
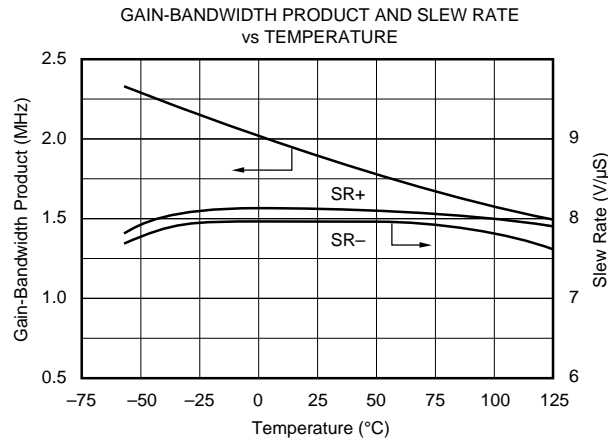
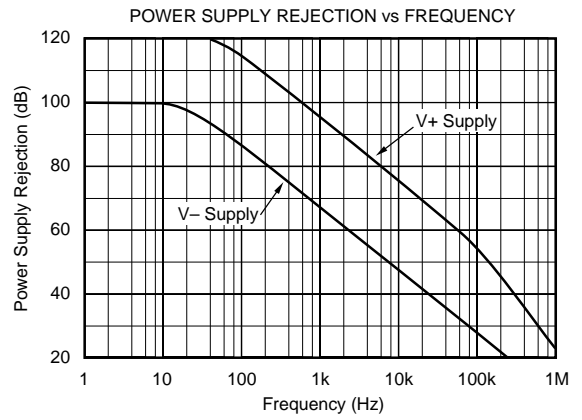
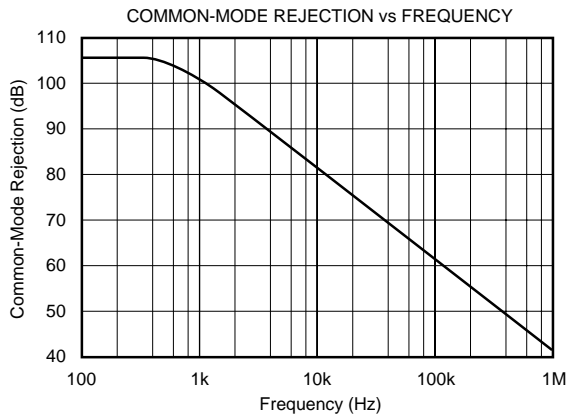
TYPICAL PERFORMANCE CURVES

At $T_{CASE} = +25^{\circ}C$, $V_S = \pm 35V$, unless otherwise noted.



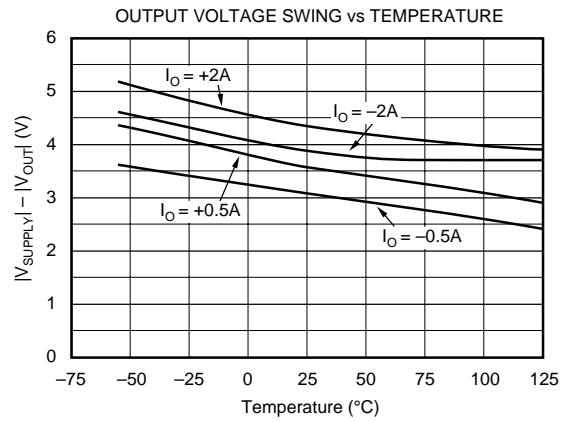
TYPICAL PERFORMANCE CURVES (CONT)

At $T_{CASE} = +25^{\circ}C$ and $V_S = \pm 35V$, unless otherwise noted.

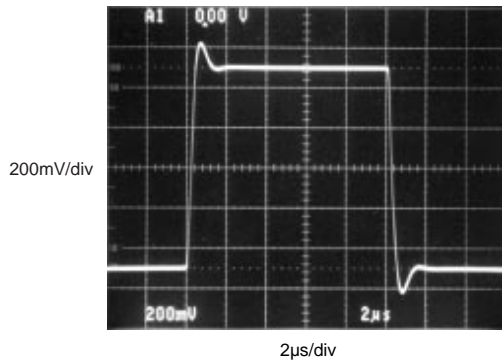


TYPICAL PERFORMANCE CURVES (CONT)

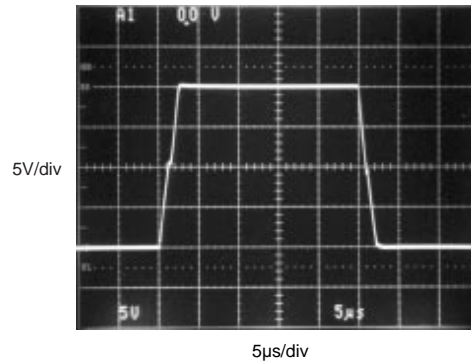
At $T_{CASE} = +25^{\circ}C$ and $V_S = \pm 35V$, unless otherwise noted.



SMALL SIGNAL RESPONSE
 $G = 3, C_L = 1nF$



LARGE SIGNAL RESPONSE
 $G = 3, R_L = 15\Omega$



APPLICATIONS INFORMATION

Figure 1 shows the OPA2544 connected as a basic non-inverting amplifier. The OPA2544 can be used in virtually any op amp configuration. Power supply terminals should be bypassed with low series impedance capacitors. The technique shown, using a ceramic and tantalum type in parallel, is recommended. Power supply wiring should have low series impedance and inductance.

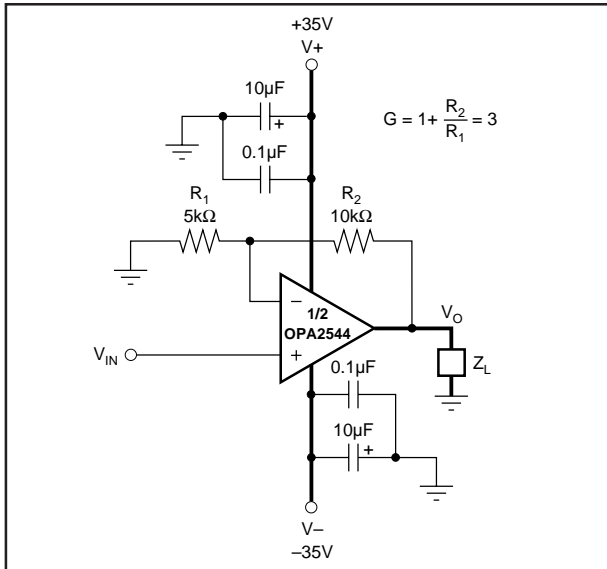


FIGURE 1. Basic Circuit Connections.

SAFE OPERATING AREA

Stress on the output transistors is determined by the output current and the voltage across the conducting output transistor, V_{CE} . The power dissipated by the output transistor is equal to the product of the output current and the voltage across the conducting transistor, V_{CE} . The Safe Operating Area (SOA curve, Figure 2) shows the permissible range of voltage and current.

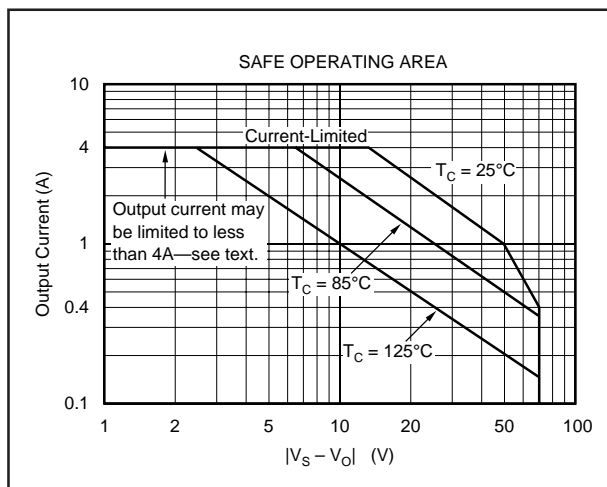


FIGURE 2. Safe Operating Area.

The safe output current decreases as V_{CE} increases. Output short-circuit is a very demanding case for SOA. A short-circuit to ground forces the full power supply voltage (V_+ or V_-) across the conducting transistor. With $V_S = \pm 35V$ the safe output current is 1.5A (at 25°C). The short-circuit current is approximately 4A which exceeds the SOA. This situation will activate the thermal shutdown circuit in the OPA2544. For further insight on SOA, consult AB-039.

CURRENT LIMIT

The OPA2544 has an internal current limit set for approximately 4A. This current limit decreases with increasing junction temperature as shown in the typical curve, Current Limit versus Temperature. This, in combination with the thermal shutdown circuit, provides protection from many types of overload. It may not, however, protect for short-circuit to ground, depending on the power supply voltage, ambient temperature, heat sink and signal conditions.

POWER DISSIPATION

Power dissipation depends on power supply, signal and load conditions. For DC signals, power dissipation is equal to the product of output current times the voltage across the conducting output transistor. Power dissipation can be minimized by using the lowest possible power supply voltage necessary to assure the required output voltage swing.

For resistive loads, the maximum power dissipation occurs at a DC output voltage of one-half the power supply voltage. Dissipation with AC signals is lower. Application Bulletin AB-039 explains how to calculate or measure power dissipation with unusual signals and loads.

HEATSINKING

Most applications require a heat sink to assure that the maximum junction temperature is not exceeded. The heat sink required depends on the power dissipated and on ambient conditions. Consult Application Bulletin AB-038 for information on determining heat sink requirements.

The heat sink tab of the plastic package is connected to the V_- power supply terminal. Lowest thermal resistance can be achieved by mounting the tab directly to a heat sink. If the heat sink cannot be electrically “hot” at V_- power supply potential, insulating hardware must be used.

THERMAL PROTECTION

The OPA2544 has thermal shutdown that protects the amplifier from damage. Any tendency to activate the thermal shutdown circuit during normal operation is indication of excessive power dissipation or an inadequate heat sink.

The thermal protection activates at a junction temperature of approximately 155°C. For reliable operation, junction temperature should be limited to 150°C, maximum. To estimate the margin of safety in a complete design (including heat sink), increase the ambient temperature until the thermal protection is activated. Use worst-case load and signal conditions. For good reliability, the thermal protec-

tion should trigger more than 25°C above the maximum expected ambient condition of your application. This produces a junction temperature of 125°C at the maximum expected ambient condition.

Depending on load and signal conditions, the thermal protection circuit may produce a duty-cycle modulated output signal. This limits the dissipation in the amplifier, but the rapidly varying output waveform may be damaging to some loads. The thermal protection may behave differently depending on whether internal dissipation is produced by sourcing or sinking output current.

UNBALANCED POWER SUPPLIES

Some applications do not require equal positive and negative output voltage swing. The power supply voltages of the OPA2544 do not need to be equal. For example, a -7V negative power supply voltage assures that the inputs of the

OPA2544 are operated within their linear common-mode range, and that the output can swing to 0V. The V+ power supply could range from 15V to 63V. The total voltage (V- to V+) can range from 20V to 70V. With a 63V positive supply voltage, the device may not be protected from damage during short-circuits because of the larger V_{CE} during this condition.

OUTPUT PROTECTION

Reactive and EMF-generating loads can return load current to the amplifier, causing the output voltage to exceed the power supply voltage. This damaging condition can be avoided with clamp diodes from the output terminal to the power supplies as shown in Figure 2. Fast-recovery rectifier diodes with a 4A or greater continuous rating are recommended.

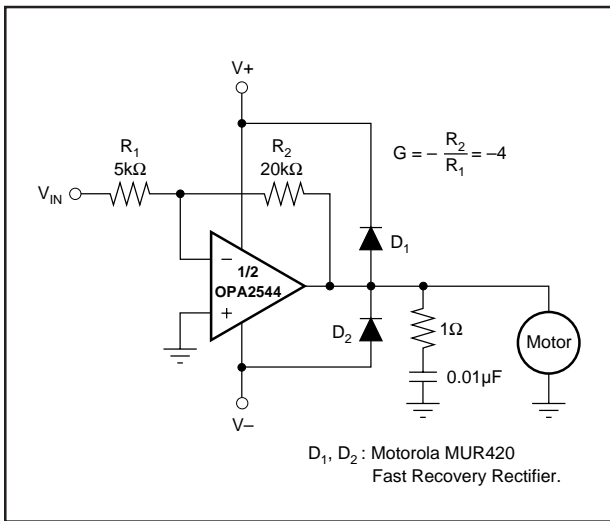


FIGURE 3. Motor Drive Circuit.

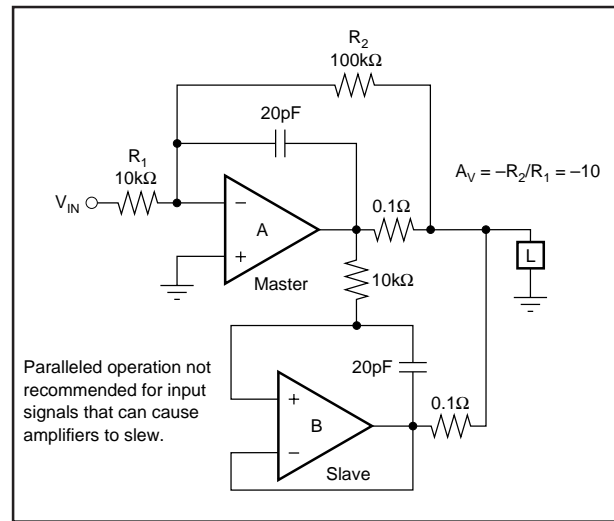


FIGURE 5. Paralleled Operation, Extended SOA.

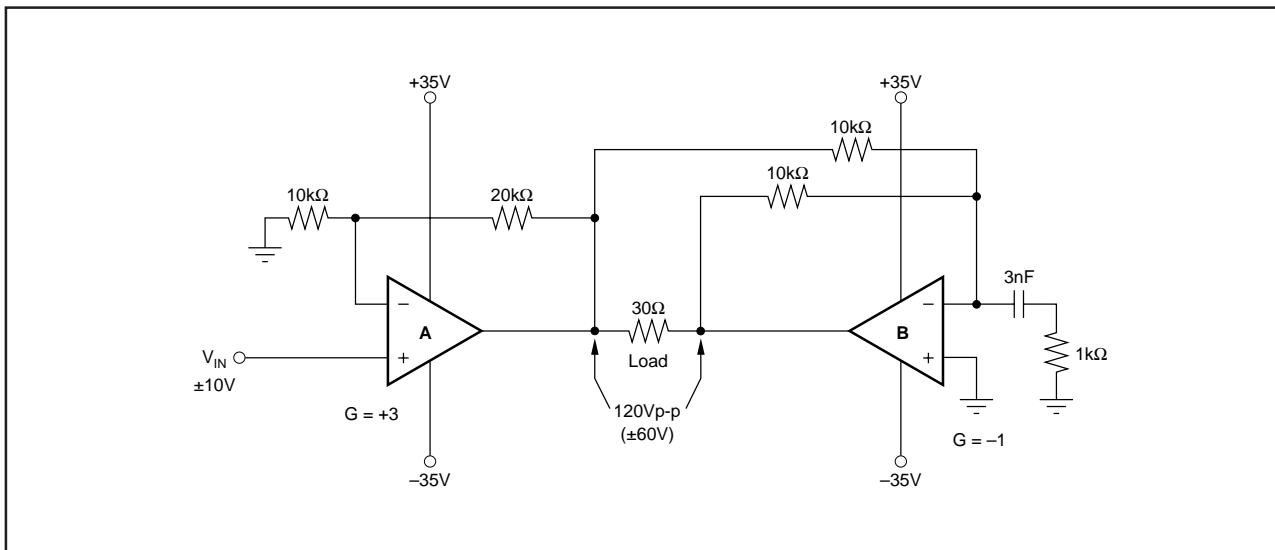


FIGURE 4. Bridge Drive Circuit.

PACKAGING INFORMATION

ORDERABLE DEVICE	STATUS(1)	PACKAGE TYPE	PACKAGE DRAWING	PINS	PACKAGE QTY
OPA2544T	ACTIVE	PFM	KV	11	25

(1) The marketing status values are defined as follows:

ACTIVE: Product device recommended for new designs.

LIFEBUY: TI has announced that the device will be discontinued, and a lifetime-buy period is in effect.

NRND: Not recommended for new designs. Device is in production to support existing customers, but TI does not recommend using this part in a new design.

PREVIEW: Device has been announced but is not in production. Samples may or may not be available.

OBSOLETE: TI has discontinued the production of the device.

IMPORTANT NOTICE

Texas Instruments Incorporated and its subsidiaries (TI) reserve the right to make corrections, modifications, enhancements, improvements, and other changes to its products and services at any time and to discontinue any product or service without notice. Customers should obtain the latest relevant information before placing orders and should verify that such information is current and complete. All products are sold subject to TI's terms and conditions of sale supplied at the time of order acknowledgment.

TI warrants performance of its hardware products to the specifications applicable at the time of sale in accordance with TI's standard warranty. Testing and other quality control techniques are used to the extent TI deems necessary to support this warranty. Except where mandated by government requirements, testing of all parameters of each product is not necessarily performed.

TI assumes no liability for applications assistance or customer product design. Customers are responsible for their products and applications using TI components. To minimize the risks associated with customer products and applications, customers should provide adequate design and operating safeguards.

TI does not warrant or represent that any license, either express or implied, is granted under any TI patent right, copyright, mask work right, or other TI intellectual property right relating to any combination, machine, or process in which TI products or services are used. Information published by TI regarding third-party products or services does not constitute a license from TI to use such products or services or a warranty or endorsement thereof. Use of such information may require a license from a third party under the patents or other intellectual property of the third party, or a license from TI under the patents or other intellectual property of TI.

Reproduction of information in TI data books or data sheets is permissible only if reproduction is without alteration and is accompanied by all associated warranties, conditions, limitations, and notices. Reproduction of this information with alteration is an unfair and deceptive business practice. TI is not responsible or liable for such altered documentation.

Resale of TI products or services with statements different from or beyond the parameters stated by TI for that product or service voids all express and any implied warranties for the associated TI product or service and is an unfair and deceptive business practice. TI is not responsible or liable for any such statements.

Following are URLs where you can obtain information on other Texas Instruments products and application solutions:

Products		Applications	
Amplifiers	amplifier.ti.com	Audio	www.ti.com/audio
Data Converters	dataconverter.ti.com	Automotive	www.ti.com/automotive
DSP	dsp.ti.com	Broadband	www.ti.com/broadband
Interface	interface.ti.com	Digital Control	www.ti.com/digitalcontrol
Logic	logic.ti.com	Military	www.ti.com/military
Power Mgmt	power.ti.com	Optical Networking	www.ti.com/opticalnetwork
Microcontrollers	microcontroller.ti.com	Security	www.ti.com/security
		Telephony	www.ti.com/telephony
		Video & Imaging	www.ti.com/video
		Wireless	www.ti.com/wireless

Mailing Address: Texas Instruments
Post Office Box 655303 Dallas, Texas 75265

Copyright © 2003, Texas Instruments Incorporated